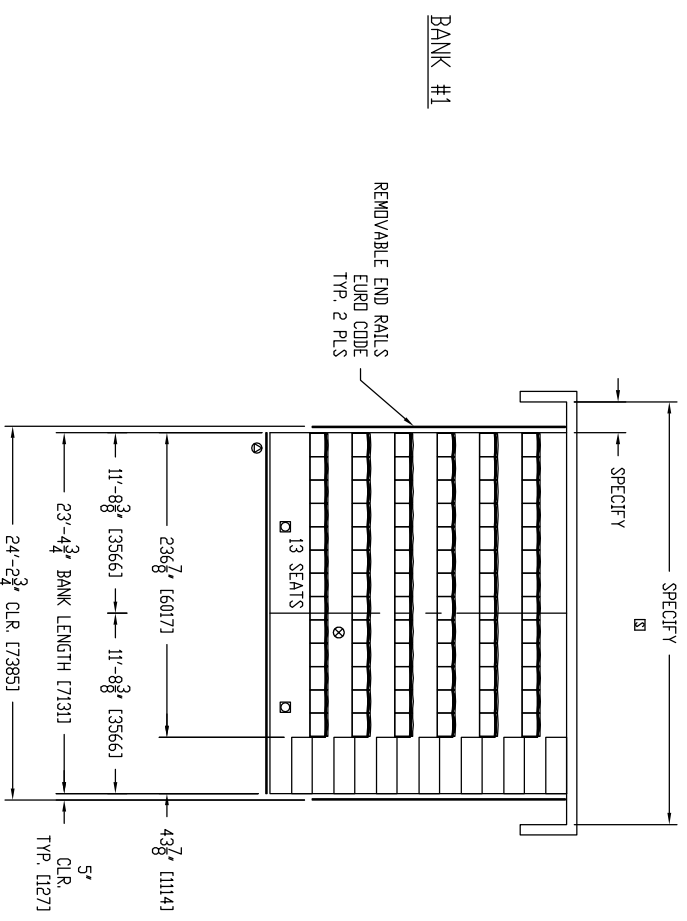


ALL DIMENSIONS OR NOTES CONTAINING SPECIFY OR VERIFY ARE TO BE VERIFIED IN THE FIELD PRIOR TO RELEASE FOR PRODUCTION.



VERIFY NORTH



INTERKAL TELESCOPIC SEATING
 INTERKAL SCULPTURED SEAT MODULE
 6 ROW SEATING CAPACITY @ 18" PER PERSON = 78

- STANDARD INTERKAL POWER REQUIREMENTS:
1. WIRING AND NON-FUSIBLE SAFETY SWITCHES) SUITABLE FOR THE LINE VOLTAGE TO BE PROVIDED BY ELECTRICAL CONTRACTOR OR OTHERS WITH BRANCH CIRCUIT PROTECTION TO EACH NOT EXCEEDING 15 AMPS.
 2. BRANCH CIRCUIT PROTECTION DEVICES BY OTHERS TO BE ACCESSIBLE WHEN PLATFORMS ARE CLOSED.
 3. VERIFY ELECTRICAL INFORMATION:
 CIRCUIT 3 PHASE, 208-230 VOLTS, 60 HERTZ
 EACH 1/2 HORSE POWER MOTOR DRAWS 20-22 AMPS, FULL LOAD.
 MOTORS RUN SIMULTANEOUSLY.
 4. SAFETY SWITCHES) LOCATED APPROXIMATE 4'-4" ABOVE FINISHED FLOOR @ F.F. FOR REVERSE FOLD UNITS)
 5. FRICTION POWER MOTOR
 6. STOP/START REVERSING CONTACTOR (WIRING HARNESS)
 7. PENDANT SWITCH RECEPTACLE

THE MATERIAL BEING SUPPLIED WILL BE PER INTERKAL'S STANDARD SPECIFICATIONS AND APPLICATIONS AT TIME OF SHIPMENT.

APPROVED BY:

ARCHITECT OR GENERAL CONTRACTOR TO SKETCH IN AND DIMENSION ANY WALL OBSTRUCTIONS SUCH AS COLUMNS, PIPES, GRILLES, ETC...

ARCHITECT/CONTRACTOR TO SPECIFY:

WALL CONSTRUCTION ----- SPECIFY

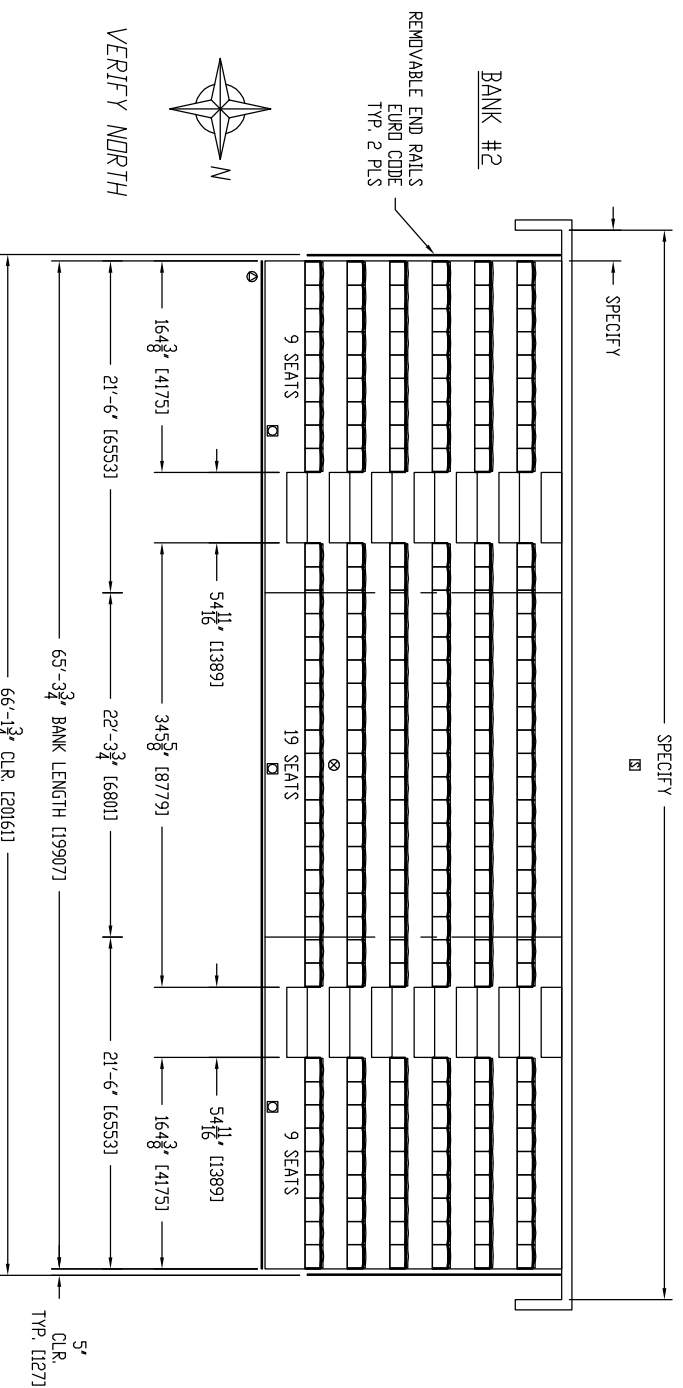
WALL THICKNESS ----- SPECIFY

FINISHED FLOOR MATERIAL --- SPECIFY

FINISHED FLOOR TO BE LEVEL PLUS OR MINUS 1/8" IN 8'-0"

THE LAYOUT SHOWN IS DRAWN ACCORDING TO INTERKAL'S INTERPRETATION OF (NOTE CODE) SHOULD THE APPLICABLE CODE DIFFER FROM THAT STATED, PLEASE INDICATE IN THE SPACE PROVIDED:

IF NO OTHER CODE IS INDICATED, IT WILL BE ASSUMED THE DISTRIBUTOR / ARCHITECT AGREES WITH THE CODE APPLIED AND ITS INTERPRETATION. SHOULD THE APPLICABLE CODE DIFFER FROM THAT STATED INTERKAL SHALL NOT BE HELD ACCOUNTABLE FOR ANY DEVIATIONS TO THE LAYOUT SHOWN.

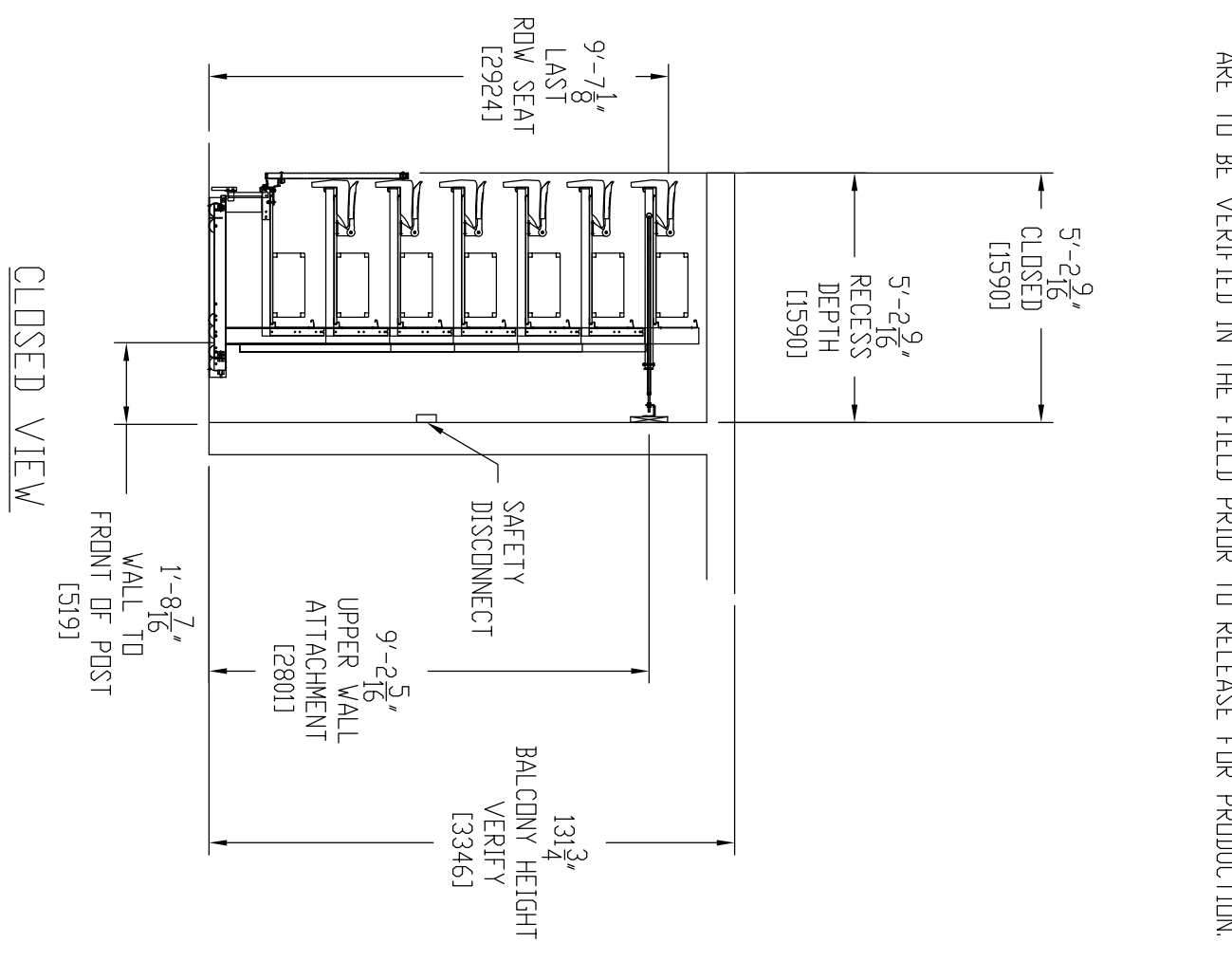
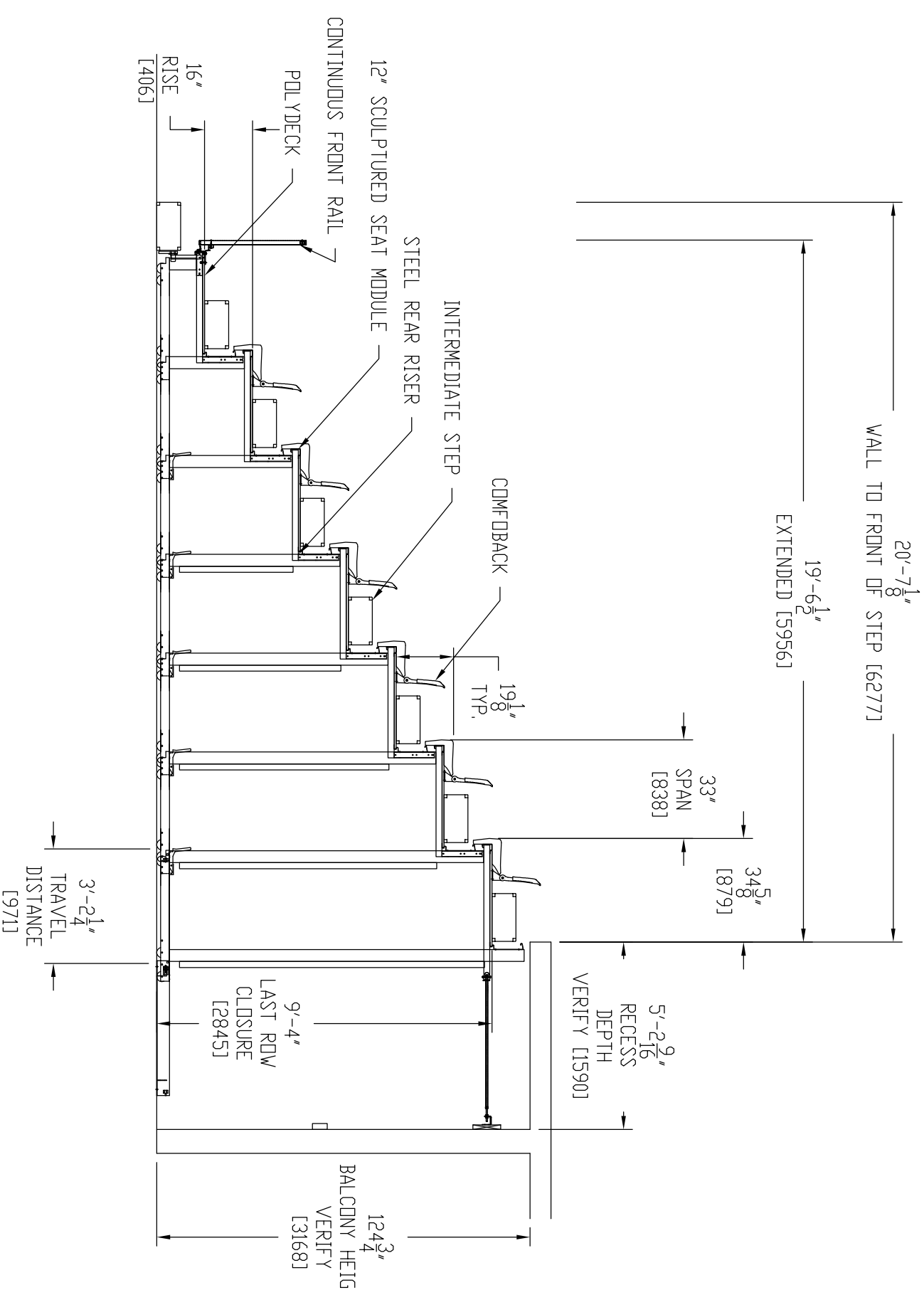


INTERKAL TELESCOPIC SEATING
 INTERKAL SCULPTURED SEAT MODULE
 6 ROW SEATING CAPACITY @ 18" PER PERSON = 222

QTY	DESCRIPTION	REV.	DRWN.	CHKD.	APVD.	DATE	PROJECT	DRAWING
4	8 ROW REMOVABLE EURD CODE END RAILS						HAUKA SPORT HALL	80085EX-P1
4	8 ROW FOOT LEVEL ASSESS						ICELAND	DRWN SCOPCELAND 6-19-18
4	8 ROW INTERMEDIATE STEPS							CHKD
2	BALCONY ACCESS							APVD
2	BANKS RECESSED FRONT RAILS							SCALE 1/8" = 1'-0"
2	BANKS CONTINUOUS FRONT RAILS							SHEET 2 OF 7
300	BACK RESTS (COMEBACKS) MOTION MONITORS							DRGNO. C-80085EX-P1
	2" * SPECIFY CLR * SCULPTURED SEAT MODULE SEAT NUMBERS & ROW LETTERS ACCESSORY LIST							

PRELIMINARY: CONSTRUCTION MATERIALS, DIMENSIONS, EQUIPMENT, ETC. MAY VARY FROM THAT SHOWN BASED UPON PROJECT SPECIFICATIONS, PARAMETERS AND INTERKAL'S STANDARD CONSTRUCTION PRACTICES AT THE TIME OF SHIPMENT.


ALL DIMENSIONS OR NOTES CONTAINING SPECIFY OR VERIFY ARE TO BE VERIFIED IN THE FIELD PRIOR TO RELEASE FOR PRODUCTION.



8 ROW SIDE ELEVATION - BANKS #1 & #2

PRELIMINARY:
CONSTRUCTION MATERIALS, DIMENSIONS, EQUIPMENT, ETC. MAY VARY FROM THAT SHOWN BASED UPON PROJECT SPECIFICATIONS, PARAMETERS AND INTERKAL'S STANDARD CONSTRUCTION PRACTICES AT THE TIME OF SHIPMENT.

80085EX-S1

HAUKA SPORT HALL	ICELAND	DRWN	SCOPPELAND	6-19-18		
		CHKD				
		APVD				
		SCALE	1/4" = 1'-0"			
		SHEET	5 OF 7			
		DRG. NO.	B-80085EX-S1			
5981 EAST CORK STREET - KALAMAZOO, MICHIGAN 49048	 Interkal Specialist Sealing World Wide www.interkal.com	REV.	DRWN	CHKD	APVD	DATE

ALL DIMENSIONS OR NOTES CONTAINING SPECIFY OR VERIFY ARE TO BE VERIFIED IN THE FIELD PRIOR TO RELEASE FOR PRODUCTION.



- STANDARD INTERKAL POWER REQUIREMENTS:
1. WIRING AND NON-FUSIBLE SAFETY SWITCHES) SUITABLE FOR THE LINE VOLTAGE TO BE PROVIDED BY ELECTRICAL CONTRACTOR OR OTHERS WITH BRANCH CIRCUIT PROTECTION TO EACH NOT EXCEEDING 15 AMPS.
 2. BRANCH CIRCUIT PROTECTION DEVICES BY OTHERS TO BE ACCESSIBLE WHEN PLATFORMS ARE CLOSED.
 3. VERIFY ELECTRICAL INFORMATION:
CIRCUIT 3 PHASE, 208-230 VOLTS, 60 HERTZ EACH 1/2 HORSE POWER MOTOR DRAWNS 20-22 AMPS. FULL LOAD. MOTORS RUN SIMULTANEOUSLY.
 4. SAFETY SWITCHES) LOCATED APPROXIMATE 4'-4" ABOVE FINISHED FLOOR @ F.F. FOR REVERSE FOLD UNITS)
 5. FRICTION POWER MOTOR
 6. STOP/START REVERSING CONTACTOR (WIRING HARNESS)
 7. PENDANT SWITCH RECEPTACLE

THE MATERIAL BEING SUPPLIED WILL BE PER INTERKAL'S STANDARD SPECIFICATIONS AND APPLICATIONS AT TIME OF SHIPMENT.

APPROVED BY:

ARCHITECT OR GENERAL CONTRACTOR TO SKETCH IN AND DIMENSION ANY WALL OBSTRUCTIONS SUCH AS COLUMNS, PIPES, GRILLES, ETC...

ARCHITECT/CONTRACTOR TO SPECIFY:

WALL CONSTRUCTION ----- SPECIFY

WALL THICKNESS ----- SPECIFY

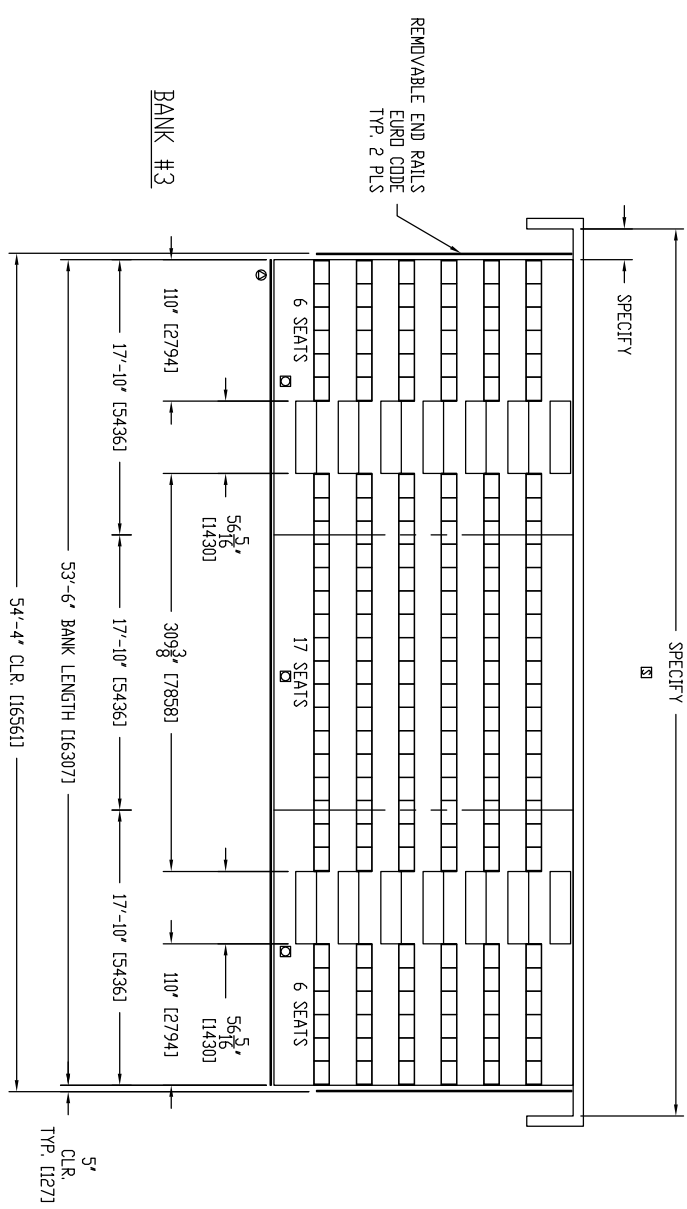
FINISHED FLOOR MATERIAL ---- SPECIFY

FINISHED FLOOR TO BE LEVEL PLUS OR MINUS 1/8" IN 8'-0"

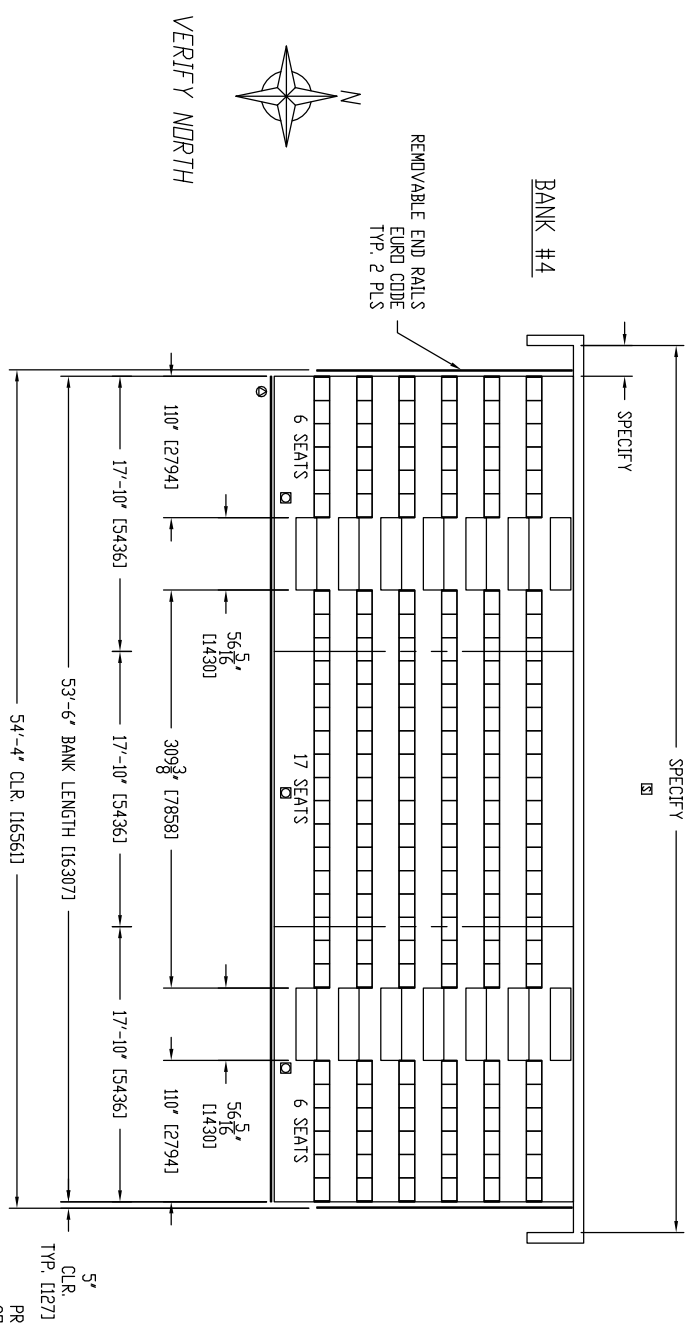
THE LAYOUT SHOWN IS DRAWN ACCORDING TO INTERKAL'S INTERPRETATION OF (NOTES) (NOTE CODE) SHOULD THE APPLICABLE CODE DIFFER FROM THAT STATED, PLEASE INDICATE IN THE SPACE PROVIDED:

IF NO OTHER CODE IS INDICATED, IT WILL BE ASSUMED THE DISTRIBUTOR / ARCHITECT AGREES WITH THE CODE APPLIED AND ITS INTERPRETATION.

SHOULD THE APPLICABLE CODE DIFFER FROM THAT STATED INTERKAL SHALL NOT BE HELD ACCOUNTABLE FOR ANY DEVIATIONS TO THE LAYOUT SHOWN



INTERKAL TELESCOPIC SEATING
 INTERKAL SCULPTURED SEAT MODULE
 6 ROW SEATING CAPACITY @ 18" PER PERSON = 174



INTERKAL TELESCOPIC SEATING
 INTERKAL SCULPTURED SEAT MODULE
 6 ROW SEATING CAPACITY @ 18" PER PERSON = 174

PRELIMINARY:
 CONSTRUCTION MATERIALS, DIMENSIONS, EQUIPMENT, ETC. MAY VARY FROM THAT SHOWN BASED UPON PROJECT SPECIFICATIONS, PARAMETERS AND INTERKAL'S STANDARD CONSTRUCTION PRACTICES AT THE TIME OF SHIPMENT.

QTY	ACCESSORY LIST	REV.	IPRNL	CHKD.	APVL.	DATE
4	8 ROWS UNDERSTRUCTURE					
4	8 ROW REMOVABLE EURO CODE END RAILS					
4	8 ROW FOOT LEVEL ASSISTERS					
4	8 ROW INTERMEDIATE STEPS					
2	BALCONY ACCESS					
2	CONTINUOUS FRONT RAILS					
2	BANKS RECESSED FRICTION POWER MOTION MONITORS					
2	2* SPECIFY CLR* SCULPTURED SEAT MODULE SEAT NUMBERS & ROW LETTERS					

HAUKA SPORT HALL
 ICELAND

5981 EAST CORK STREET - KALAMAZOO, MICHIGAN 49048

80085EX-P1

DRAWN SCOPPELAND 6-19-18

CHKD

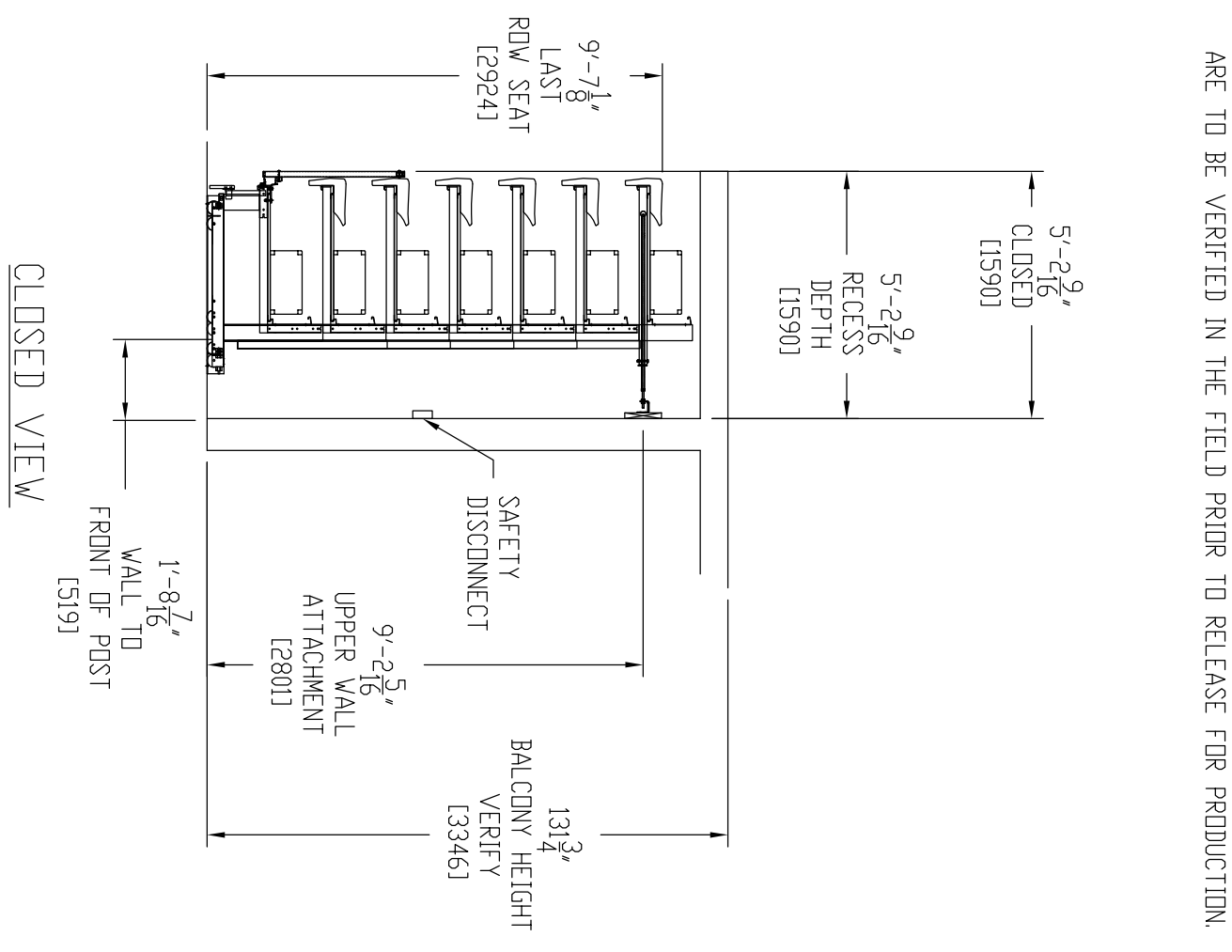
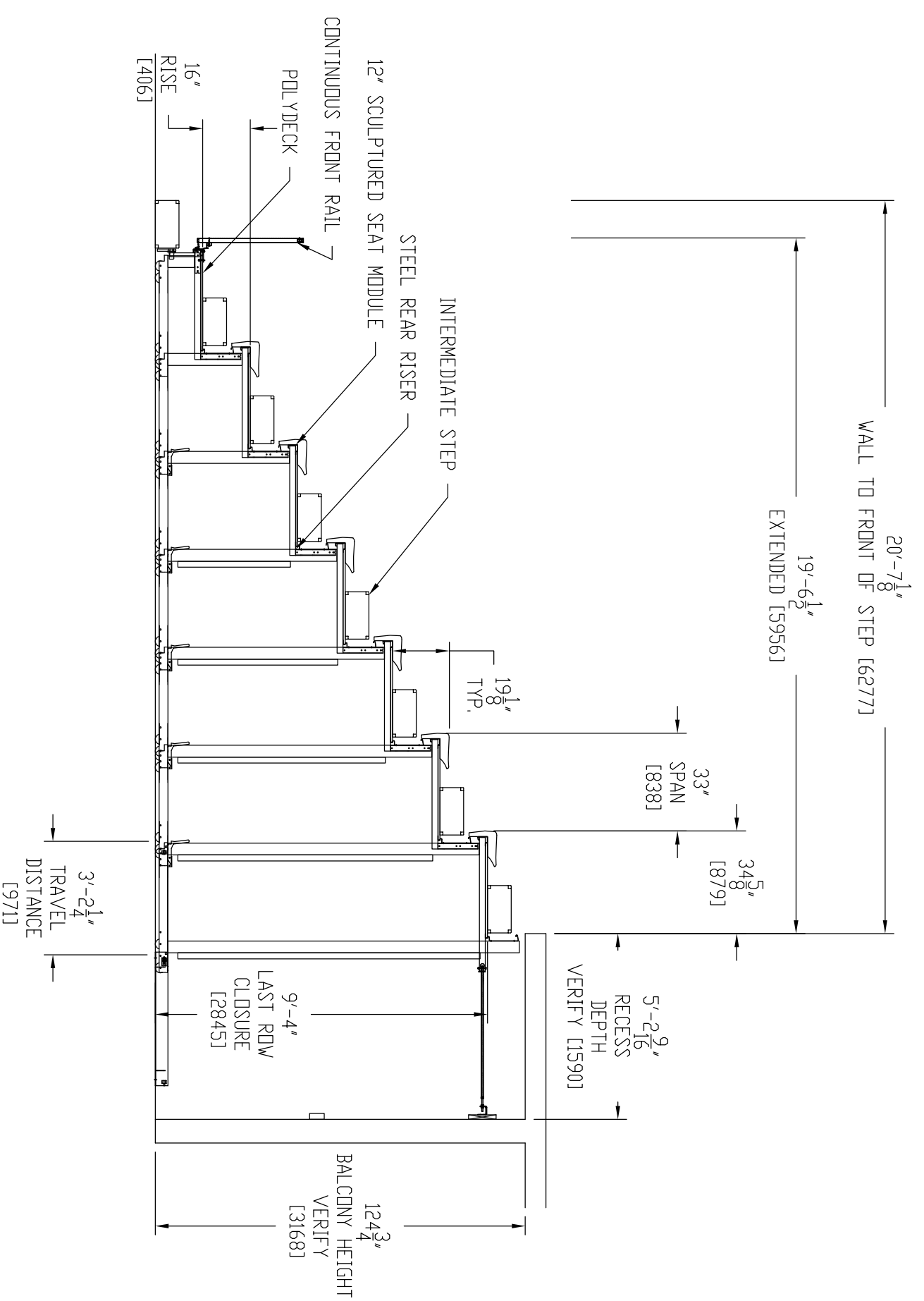
APVD

SCALE 1/8" = 1'-0"

SHEET 3 OF 7

DWG NO. C-80085EX-P3

ALL DIMENSIONS OR NOTES CONTAINING SPECIFY OR VERIFY ARE TO BE VERIFIED IN THE FIELD PRIOR TO RELEASE FOR PRODUCTION.



8 ROW SIDE ELEVATION - BANKS #3 & #4

PRELIMINARY:
CONSTRUCTION MATERIALS, DIMENSIONS, EQUIPMENT, ETC. MAY VARY FROM THAT SHOWN BASED UPON PROJECT SPECIFICATIONS, PARAMETERS AND INTERKAL'S STANDARD CONSTRUCTION PRACTICES AT THE TIME OF SHIPMENT.

80085EX-S1

HAUKA SPORT HALL	ICELAND	DRWN	SCOPPELAND	6-19-18
APVD	CHKD	APVD	CHKD	
SCALE	1/4" = 1'-0"	SHEET	6 OF 7	
DRG. NO.	B-80085EX-S1	DATE		

5981 EAST CORK STREET - KALAMAZOO, MICHIGAN 49048

Interkal
Specialty Sealing World Wide
www.interkal.com

ALL DIMENSIONS OR NOTES CONTAINING SPECIFY OR VERIFY ARE TO BE VERIFIED IN THE FIELD PRIOR TO RELEASE FOR PRODUCTION.



VERIFY NORTH

STANDARD INTERKAL POWER REQUIREMENTS:

1. WIRING AND NON-FUSIBLE SAFETY SWITCHES) SUITABLE FOR THE LINE VOLTAGE TO BE PROVIDED BY ELECTRICAL CONTRACTOR OR OTHERS WITH BRANCH CIRCUIT PROTECTION TO EACH NOT EXCEEDING 15 AMPS.
2. BRANCH CIRCUIT PROTECTION DEVICES BY OTHERS TO BE ACCESSIBLE WHEN PLATFORMS ARE CLOSED.
3. VERIFY ELECTRICAL INFORMATION:
CIRCUIT 3 PHASE, 208-230 VOLTS, 60 HERTZ EACH 1/2 HORSE POWER MOTOR DRAWS 20-22 AMPS, FULL LOAD, MOTORS RUN SIMULTANEOUSLY.
4. SAFETY SWITCHES) LOCATED APPROXIMATE 4'-4" ABOVE FINISHED FLOOR @ F.F. FOR REVERSE FOLD UNITS)
5. FRICTION POWER MOTOR
6. STOP/START REVERSING CONTACTOR (WIRING HARNESS)
7. PENDANT SWITCH RECEPTACLE

THE MATERIAL BEING SUPPLIED WILL BE PER INTERKAL'S STANDARD SPECIFICATIONS AND APPLICATIONS AT TIME OF SHIPMENT.

APPROVED BY:

ARCHITECT OR GENERAL CONTRACTOR TO SKETCH IN AND DIMENSION ANY WALL OBSTRUCTIONS SUCH AS COLUMNS, PIPES, GRILLES, ETC...

ARCHITECT/CONTRACTOR TO SPECIFY:

WALL CONSTRUCTION ----- SPECIFY

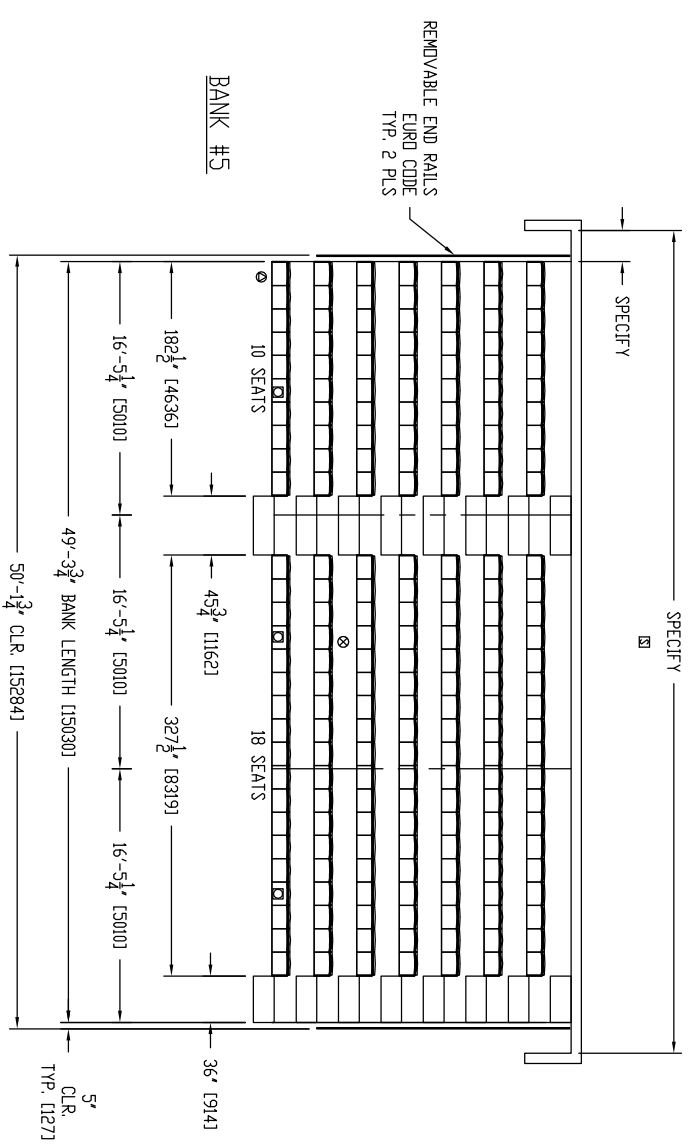
WALL THICKNESS ----- SPECIFY

FINISHED FLOOR MATERIAL --- SPECIFY

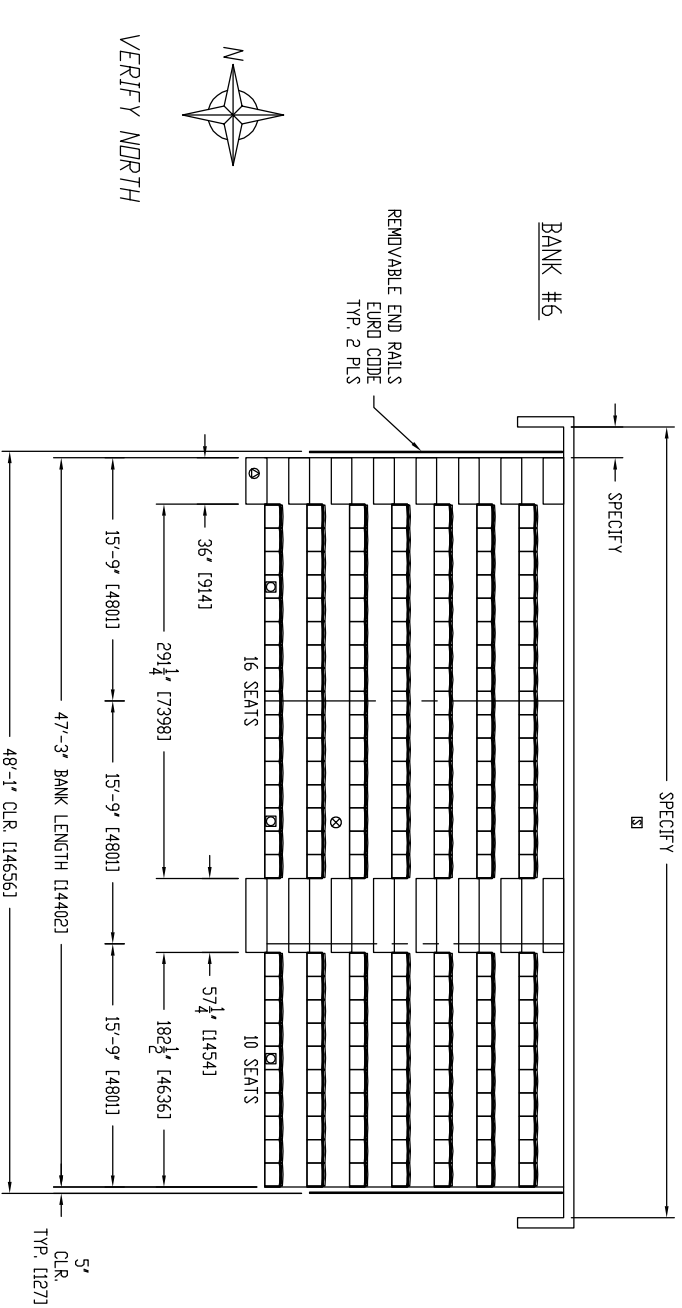
FINISHED FLOOR TO BE LEVEL PLUS OR MINUS 1/8" IN 8'-0"

THE LAYOUT SHOWN IS DRAWN ACCORDING TO INTERKAL'S INTERPRETATION OF (DIMEN) (NOTE CODE) SHOULD THE APPLICABLE CODE DIFFER FROM THAT STATED, PLEASE INDICATE IN THE SPACE PROVIDED:

IF NO OTHER CODE IS INDICATED, IT WILL BE ASSUMED THE DISTRIBUTOR / ARCHITECT AGREES WITH THE CODE APPLIED AND ITS INTERPRETATION. SHOULD THE APPLICABLE CODE DIFFER FROM THAT STATED INTERKAL SHALL NOT BE HELD ACCOUNTABLE FOR ANY DEVIATIONS TO THE LAYOUT SHOWN.



INTERKAL TELESCOPIC SEATING
INTERKAL SCULPTURED SEAT MODULE
7 ROW SEATING CAPACITY @ 18' PER PERSON = 196



INTERKAL TELESCOPIC SEATING
INTERKAL SCULPTURED SEAT MODULE
7 ROW SEATING CAPACITY @ 18' PER PERSON = 182

PRELIMINARY: CONSTRUCTION MATERIALS, DIMENSIONS, EQUIPMENT, ETC. MAY VARY FROM THAT SHOWN BASED UPON PROJECT SPECIFICATIONS, PARAMETERS AND INTERKAL'S STANDARD CONSTRUCTION PRACTICES AT THE TIME OF SHIPMENT.

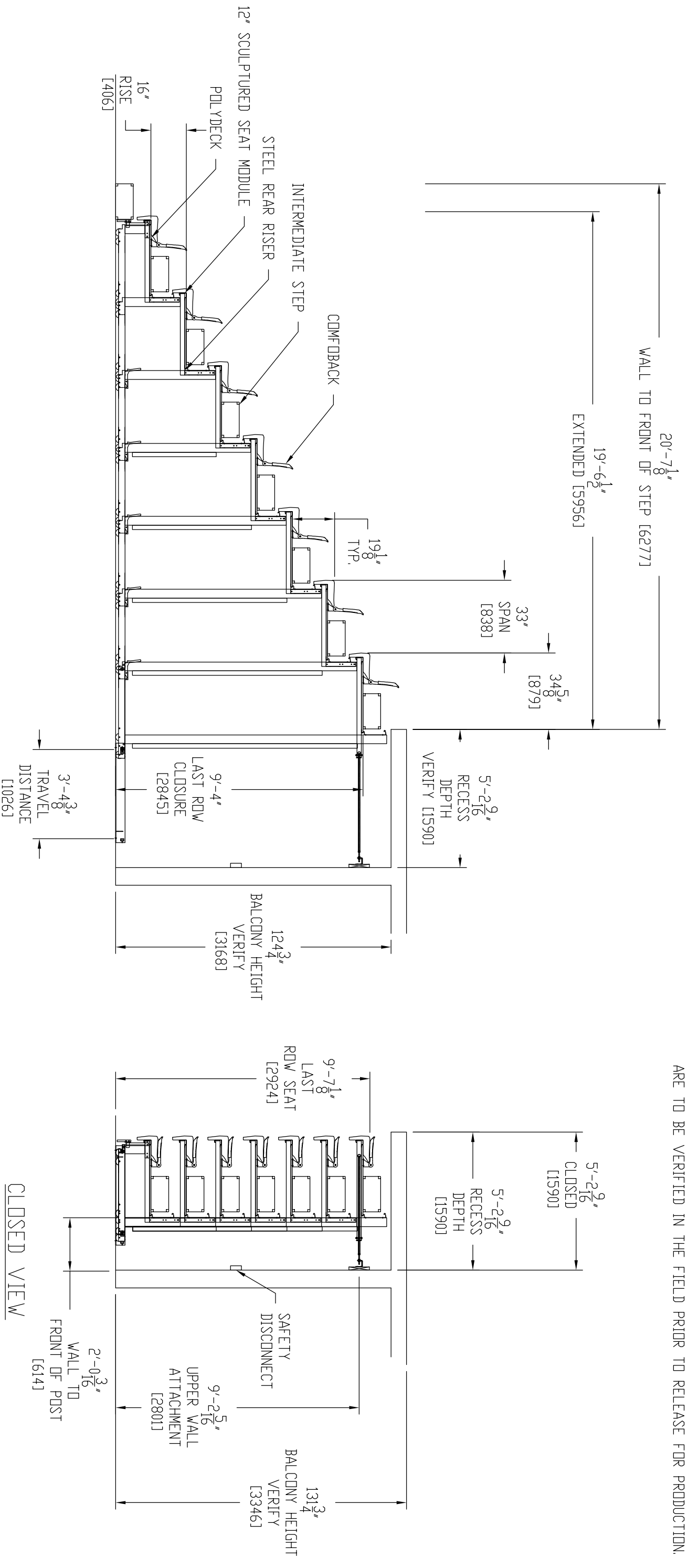
QTY	ACCESSORY LIST	REV.	DRWN.	CHKD.	APVD.	DATE
4	8 ROW REMOVABLE EURO CODE END RAILS					
4	8 ROW FOOT LEVEL ASSEMBLIES					
4	8 ROW INTERMEDIATE STEPS					
2	BANKS ACCESS FRICTION POWER					
3/8	BANKS RECESSED FRICTION POWER MOTION MOUNTS					
	BANK RESTS (COMPOUNDS) *SPECIFY COLOR*					
	12" *SPECIFY CLR* SCULPTURED SEAT MODULE SEAT NUMBERS & ROW LETTERS					

HAUKA SPORT HALL
ICELAND

5981 EAST CORK STREET - KALAMAZOO, MICHIGAN 49048

80085EX-P1
DRAWN SCOPELAND 6-19-18
CHKD
APVD
SCALE 1/8" = 1'-0"
SHEET 4 OF 7
DRGNO. C-80085EX-PS

ALL DIMENSIONS OR NOTES CONTAINING SPECIFY OR VERIFY ARE TO BE VERIFIED IN THE FIELD PRIOR TO RELEASE FOR PRODUCTION.



8 ROW SIDE ELEVATION - BANKS #5 & #6

PRELIMINARY:
 CONSTRUCTION MATERIALS, DIMENSIONS, EQUIPMENT, ETC. MAY VARY FROM THAT SHOWN BASED UPON PROJECT SPECIFICATIONS, PARAMETERS AND INTERKAL'S STANDARD CONSTRUCTION PRACTICES AT THE TIME OF SHIPMENT.

80085EX-S1

HAUKA SPORT HALL ICELAND	DRWN	SCDPELAND	6-19-18
	CHKD		
	APVD		
	SCALE	1/4" = 1'-0"	
	SHEET	7 OF 7	
	DRGNO.	B-80085EX-S1	

5981 EAST CORK STREET - KALAMAZOO, MICHIGAN 49048

Interkal
 Specialist Sealing World Wide
 www.interkal.com

REV.	DATE	APVD.	CHKD.	DRWN.